



LEONSOLAR

Product Catalog

Version 3.0

Xiamen Leon Solar Technology Co.,Ltd

Add: Room 403, No. 440 Hengtian Road, Houxi Town, Jimei, Xiamen, China 361024

Tel: +86-592-6266994

Web: www.leonsolar.com

Email: info@leonsolar.com

This catalog includes components for Leonsolar® solar mounting systems

Contents

About Us	02
Tin Roof Mounting	03-07
Balcony Solar Bracket	08
Flat Roof Mounting	09-10
Ballast System	11-12
Tile Roof Mounting	13-14
BIPV Mounting System	15-16
Ground Mounting	17-21
Carport	22-23
Agricultural Greenhouse	24
Accessories	25-29
Ground Screw	30
Floating System	31-32
Tracking System	33-34
Production Line	35
Project Reference	36

About Us

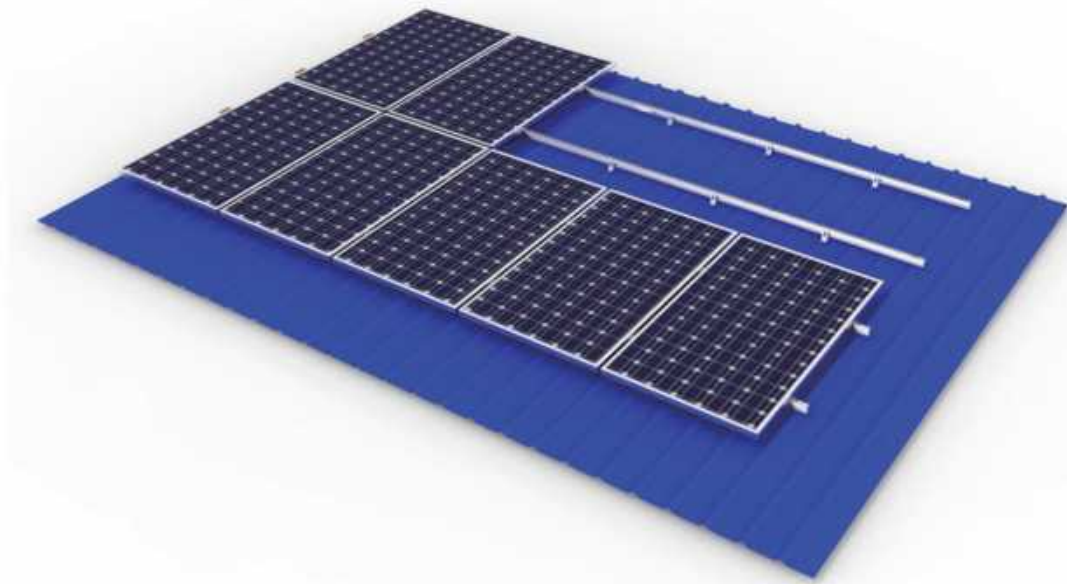


Established in 2018, Xiamen Leon solar Technology Co., Ltd. is a high-tech enterprise in the renewable energy industry which provides leading patented technology and efficient service and specializes in the R&D, production, sales and service of solar PV mounting system with own independent intellectual property rights.

Our vision is to spearhead the solar PV mounting industry as manufacturer and solution provider. Our mission is to empower global PV market with more effective and efficient products.

TIN ROOF MOUNTING

MAIN COMPONENTS

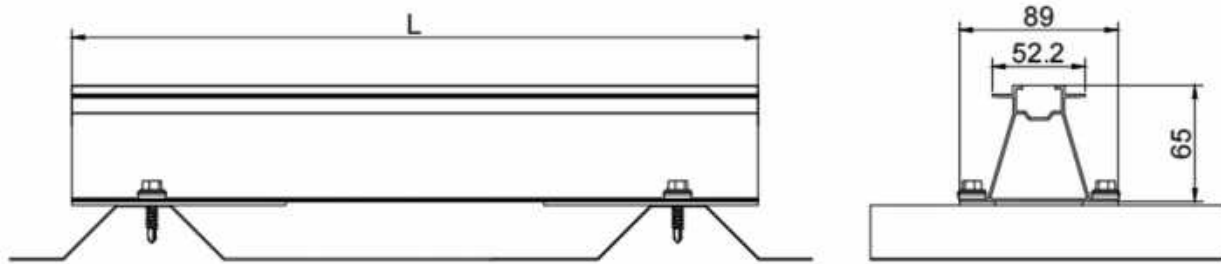


Technical Features:	
Compliance	AS/NZS1170.2, Euro Code 8, DIN 1055, IBC 2006
Material	High-strength aluminum 6005-T5, stainless steel SUS304
Snow Load Rating	1.4KN/m ²
Max Wind Speed	55m/s

Advantages

- Suitable for corrugated or trapezoidal metal sheet roofs.
- Corrosion resistance and rust prevention.
- Rubber washers help prevent rainwater penetration.
- Vertically adjustable.
- Can be securely locked onto wooden rafters or steel purlins.

TIN ROOF MOUNTING



Technical Features:	
Compliance	AS/NZS1170.2, Euro Code 8, DIN 1055, IBC 2006
Material	High-strength aluminum 6005-T5, stainless steel SUS304
Snow Load Rating	1.4KN/m ²
Max Wind Speed	55m/s

MINI RAIL



LS-SR-01



LS-SR-02



LS-SR-03



LS-KSR-01



LS-KSR-02



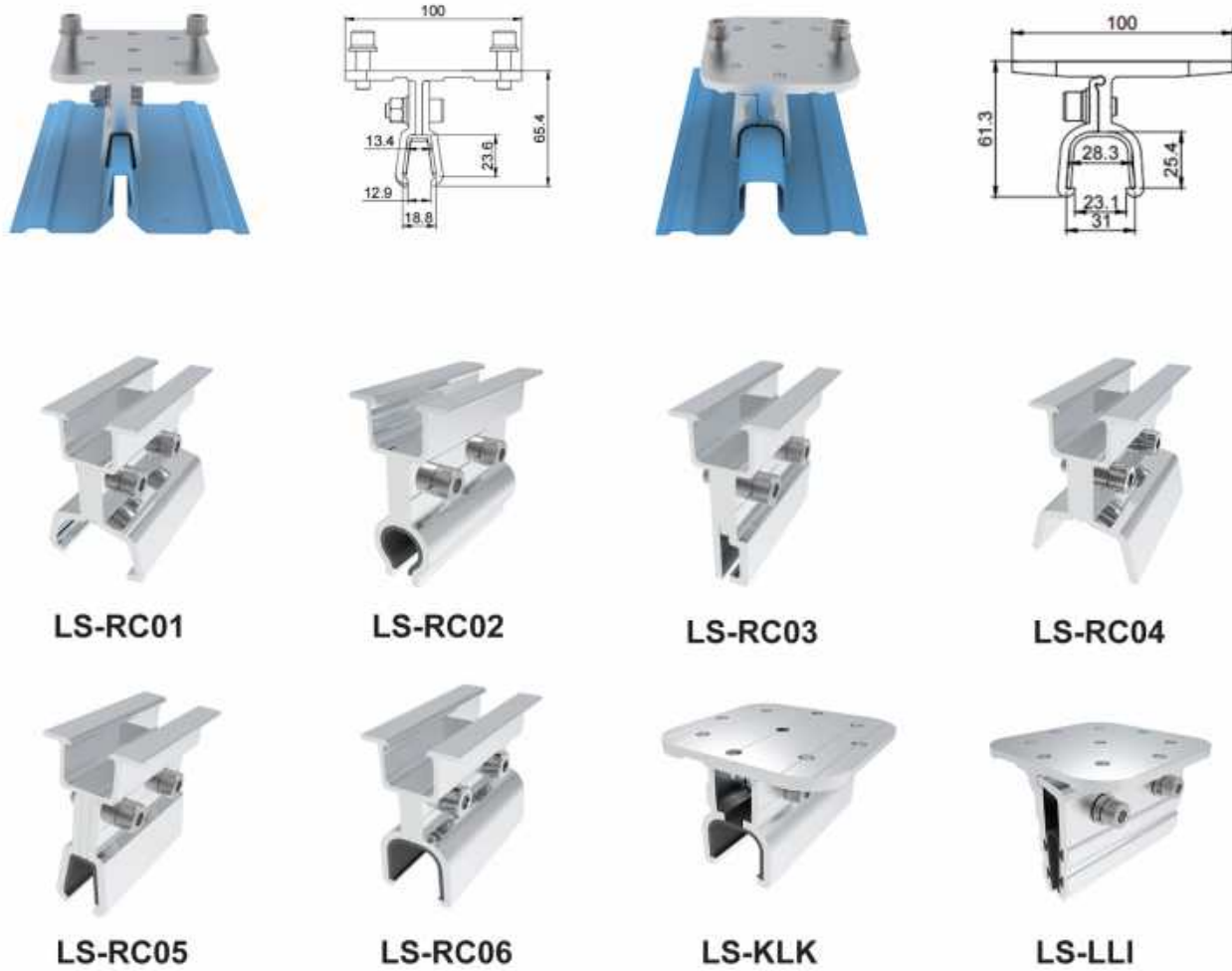
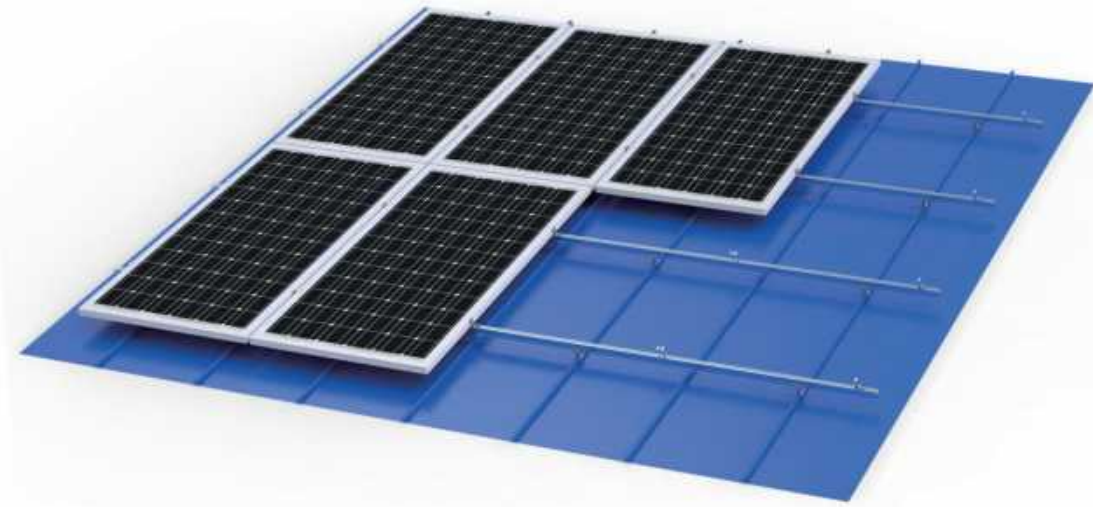
LS-KSR-03

Material specifications			
Item Name	Quantity	Specifications	Material
Mini Rail	1	L=385mm	AL6005-T5
Self-tapping screw	4	6.3*25mm	SUS 410

Advantages

- Can be parallel to or span across the ridge.
- Suitable for both horizontal and vertical layouts.
- The length of rail can be customized

RAILLESS CLAMPS



BALCONY SOLAR BRACKET



Adjustable system



Triangle system



Adjustable leg

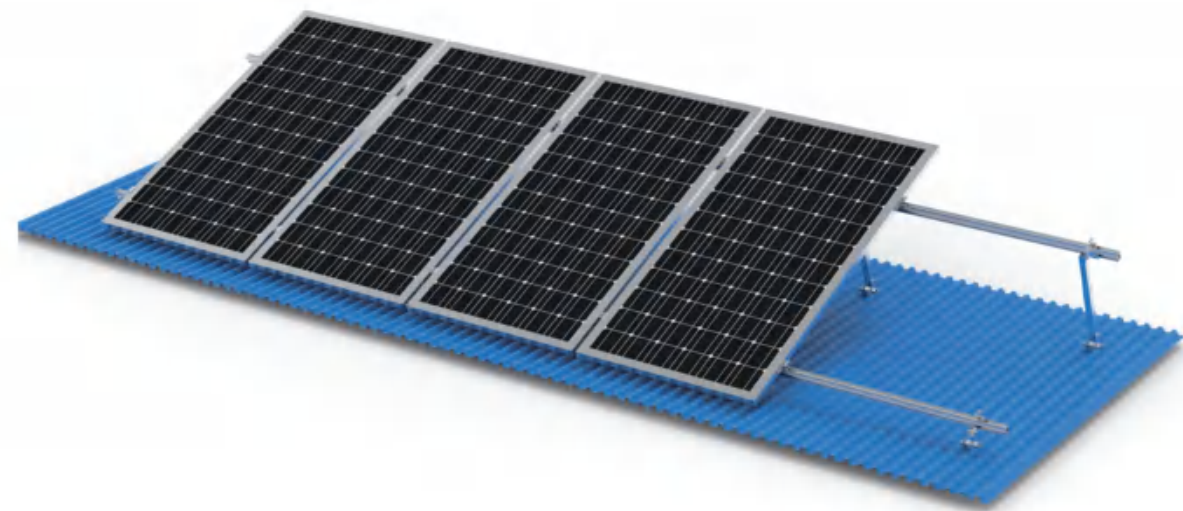


Hook

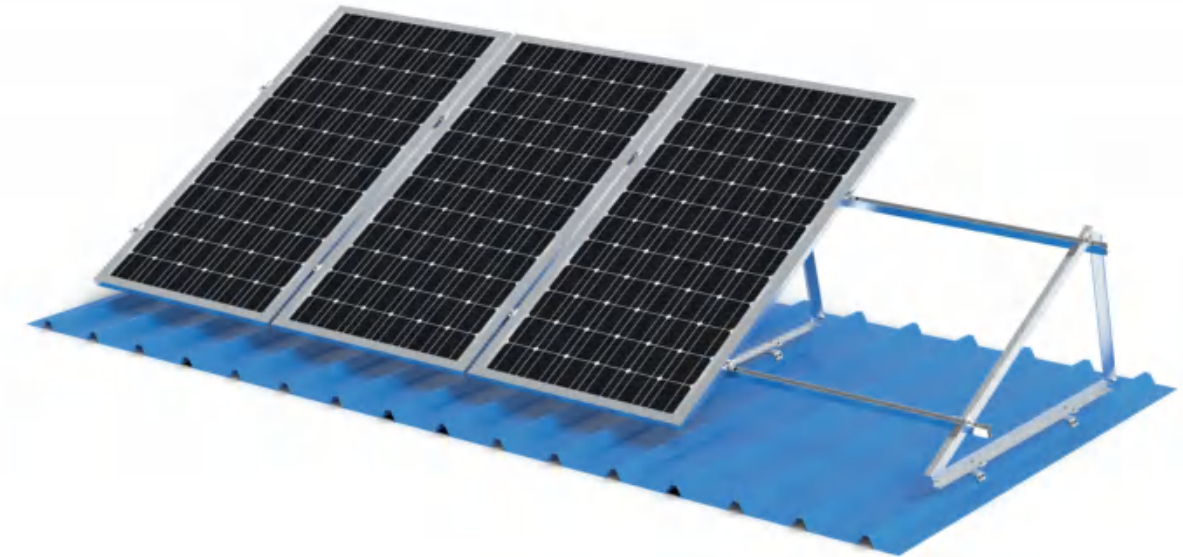


Triangle bracket

FLAT ROOF MOUNTING (ADJUSTABLE SYSTEM)



FLAT ROOF MOUNTING (TRIPOD SYSTEM)



Technical Features:	
Compliance	AS/NZS1170.2, Euro Code 8, DIN 1055, IBC 2006
Material	High-strength aluminum 6005-T5, stainless steel SUS304
Snow Load Rating	1.4KN/m ²
Max Wind Speed	55m/s
Installation Angle	10~15°, 15~30°, 30~60°

Tripod system advantages

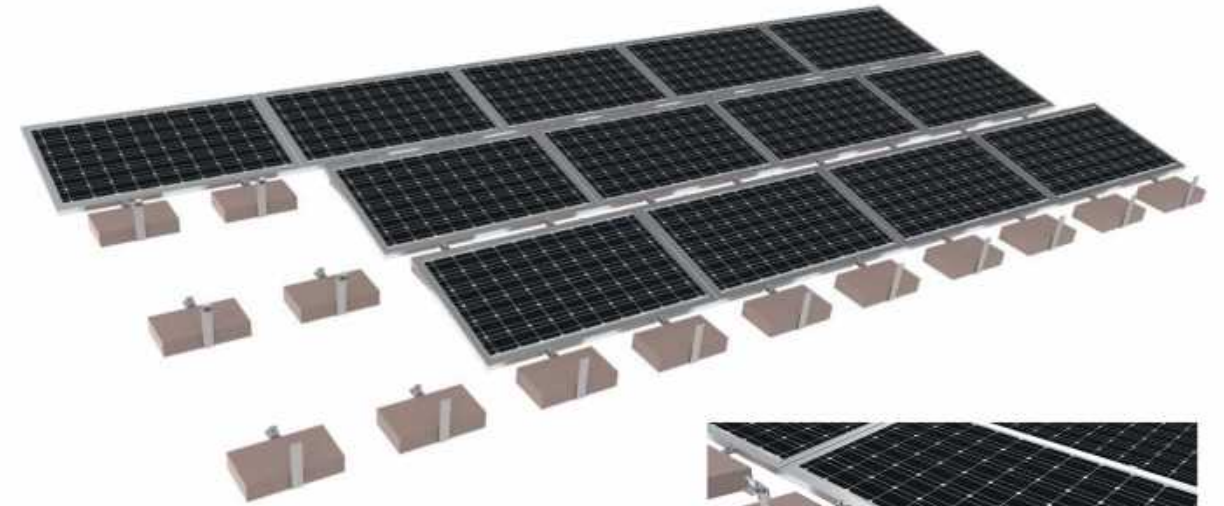
- Suitable for flat roofs or ground.
- Adjustable angle 10-60°.
- No drilling, non-damaging
- Strong bottom beam design.
- Flexible installation, single or double row

ALUMINUM BALLAST SYSTEM

STEEL BALLAST SYSTEM

South direction

East west direction



Front leg

Rear Leg

Bottom Beam

End clamp

Ballast bracket

Front connector

Rear connector



Wind shield

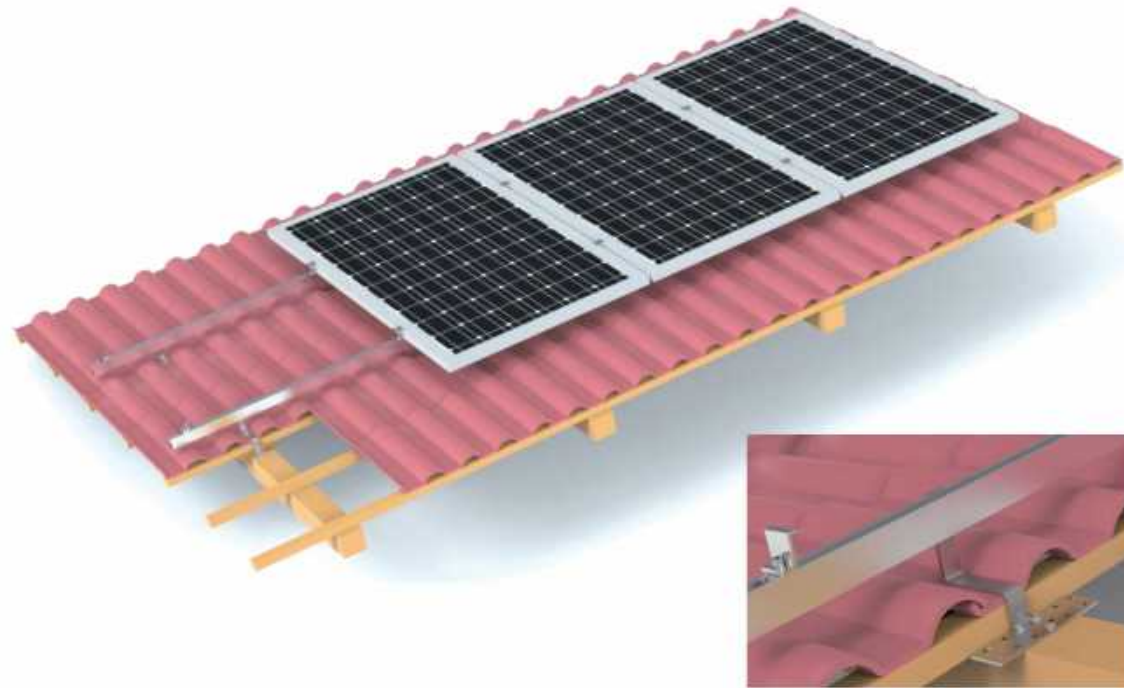
Mid clamp

End clamp

Technical Features:	
Compliance	AS/NZS1170.2, Euro Code 8, DIN 1055, IBC 2006
Material	High-strength aluminum 6005-T5, stainless steel SUS304
Snow Load Rating	1.4KN/m ²
Max Wind Speed	55m/s

Technical Features:	
Compliance	AS/NZS1170.2, Euro Code 8, DIN 1055, IBC 2006
Material	Steel Q235B, stainless steel SUS304
Snow Load Rating	1.4KN/m ²
Max Wind Speed	55m/s

TILE ROOF MOUNTING



Technical Features:	
Compliance	AS/NZS1170.2, Euro Code 8, DIN 1055, IBC 2006
Material	High-strength aluminum 6005-T5, stainless steel SUS304
Snow Load Rating	1.4KN/m ²
Max Wind Speed	55m/s

Advantages

- Suitable for different tile roofs, such as ceramic, Spanish, flat, slate, and glazed tiles.
- Can also be custom-designed according to specific tile specifications.
- Made of SUS 304 stainless steel.
- No need to drill holes in the tiles.

TILE HOOKS



LS-TH-01



LS-TH-02



LS-TH-03



LS-TH-04



LS-TH-05



LS-TH-06



LS-TH-07



LS-TH-08



LS-TH-09



LS-TH-10



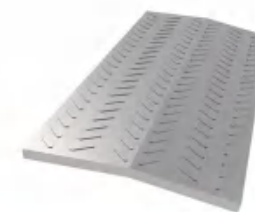
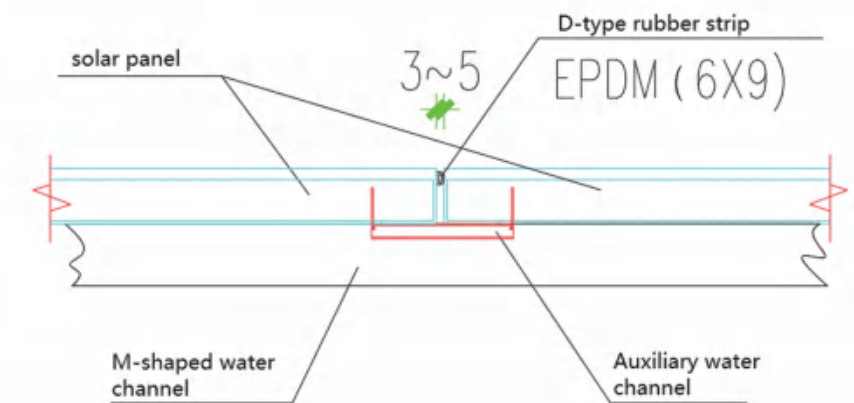
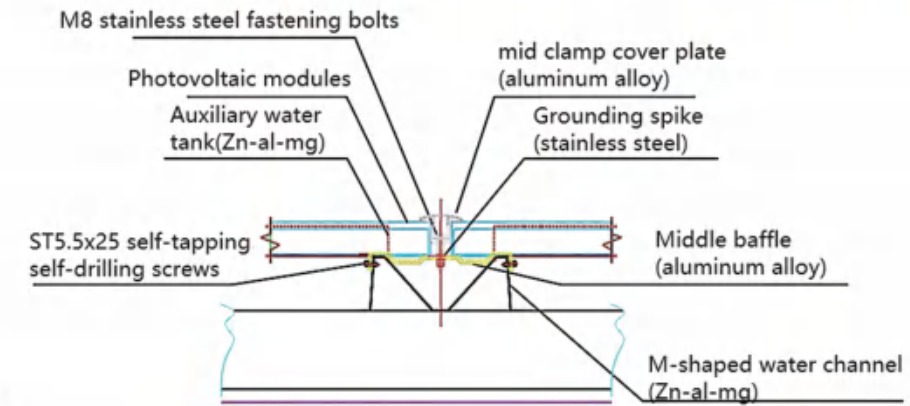
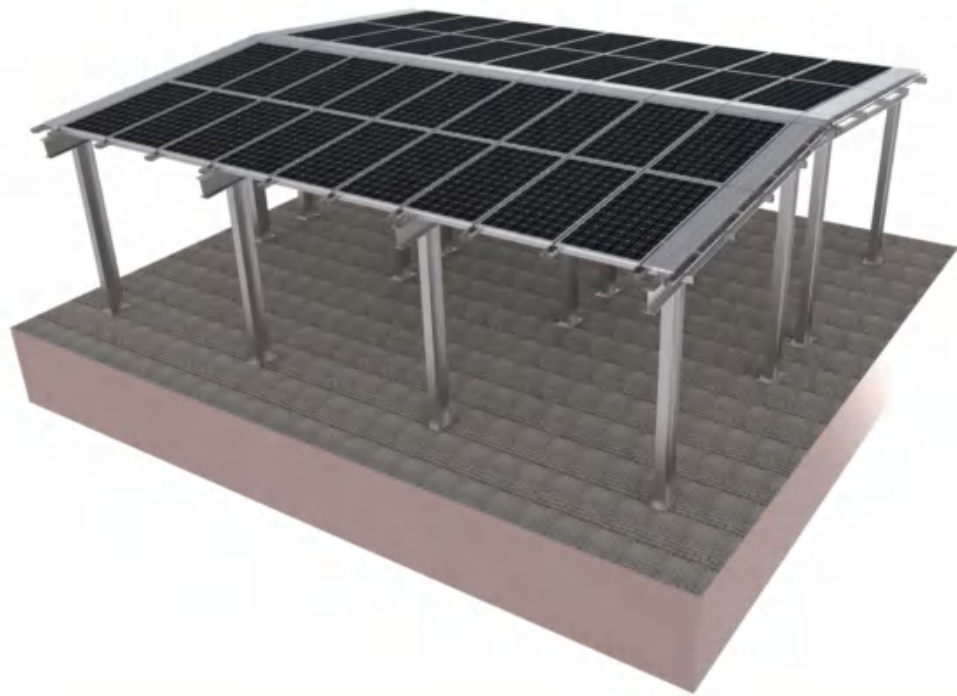
LS-TH-11



LS-TH-12

BIPV MOUNTING SYSTEM

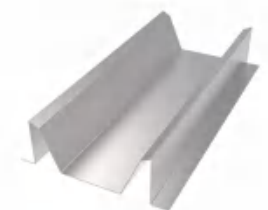
DETAILED INTRODUCTION



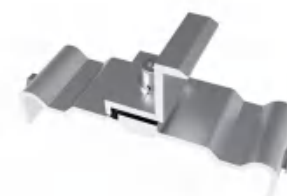
Maintenance Platform



Auxiliary Gutter



Main Gutter



End clamp



Mid Clamp

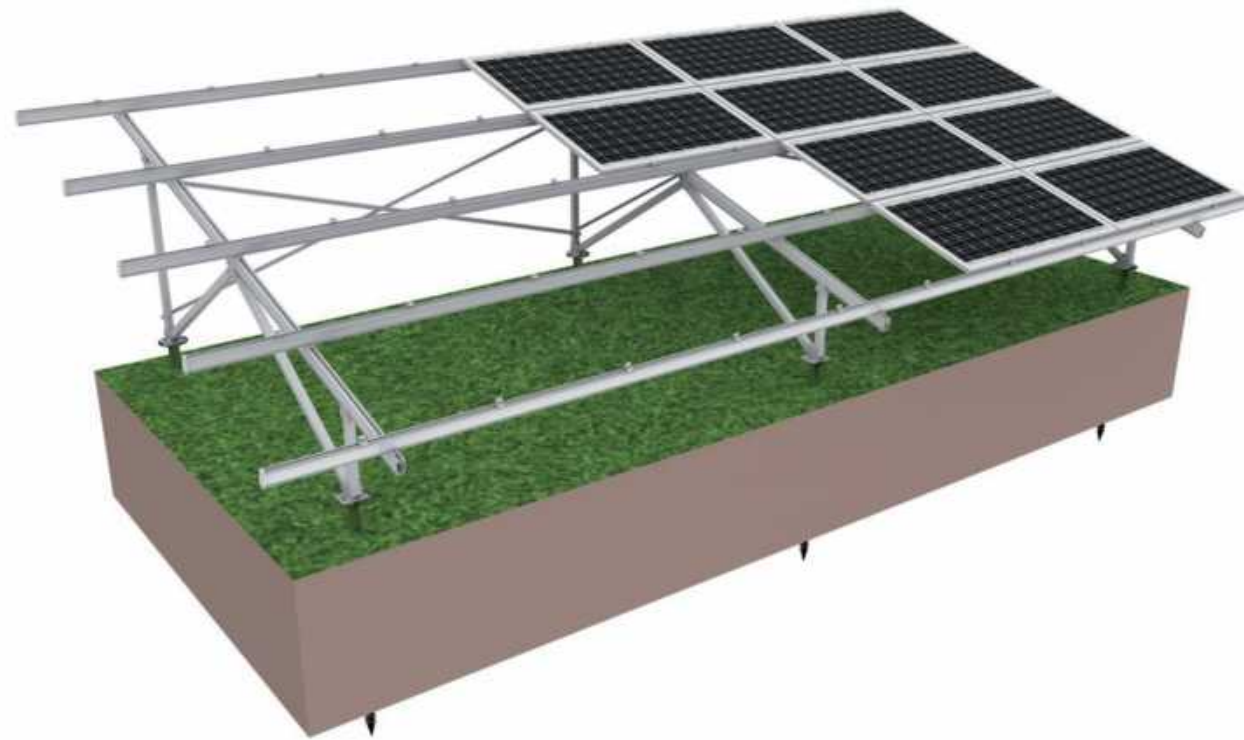


Fiberglass Grating

Technical Features:	
Compliance	AS/NZS1170.2, Euro Code 8, DIN 1055, IBC 2006
Material	Zinc-Alu-Mg steel, stainless steel SUS304
Snow Load Rating	1.4KN/m ²
Max Wind Speed	55m/s

ALUMINUM GROUND MOUNTING

*Horizontal Row



1. LS-P5050



2. LS-MC



3. LS-ECS



4. LS-ICS



5. LS-GPB-V

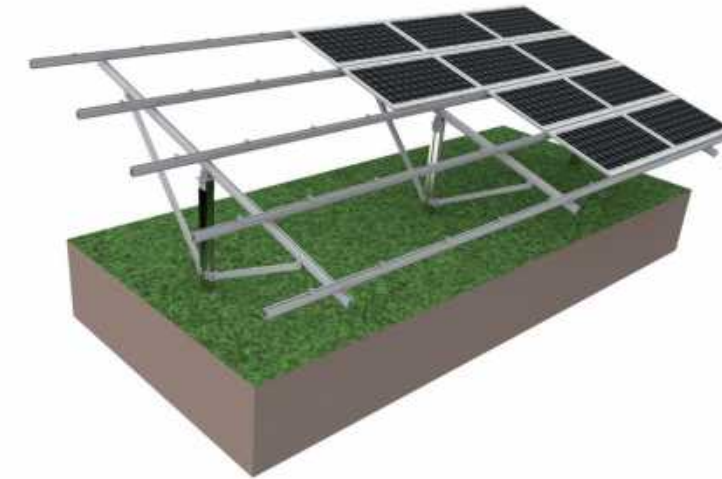


6. LS-JCR



7. LS-HGC

*Single pile ground mounting



1. LS-DG



2. LS-MC



3. LS-ECS



4. LS-ICS



5. LS-GPB



6. LS-ZDJ

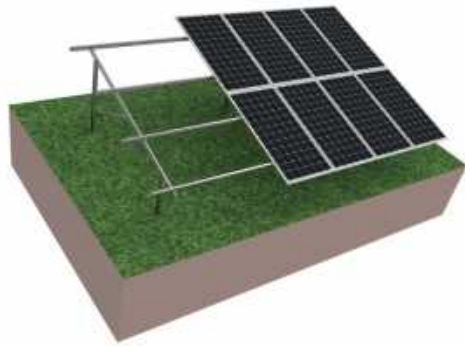


7. LS-CP

Technical Features:	
Compliance	AS/NZS1170.2, Euro Code 8, DIN 1055, IBC 2006
Material	High-strength aluminum 6005-T5, stainless steel SUS304
Snow Load Rating	1.4KN/m ²
Max Wind Speed	60m/s
Certificates	CE, SGS
Warranty	10 years
Installation Angle	0-60°

C STEEL GROUND MOUNTING

*Double-column piling



1. LS-CDG



2. LS-CLJ



3. LS-EGS



4. LS-IGS



5. LS-GPB-C



6. LS-LGT

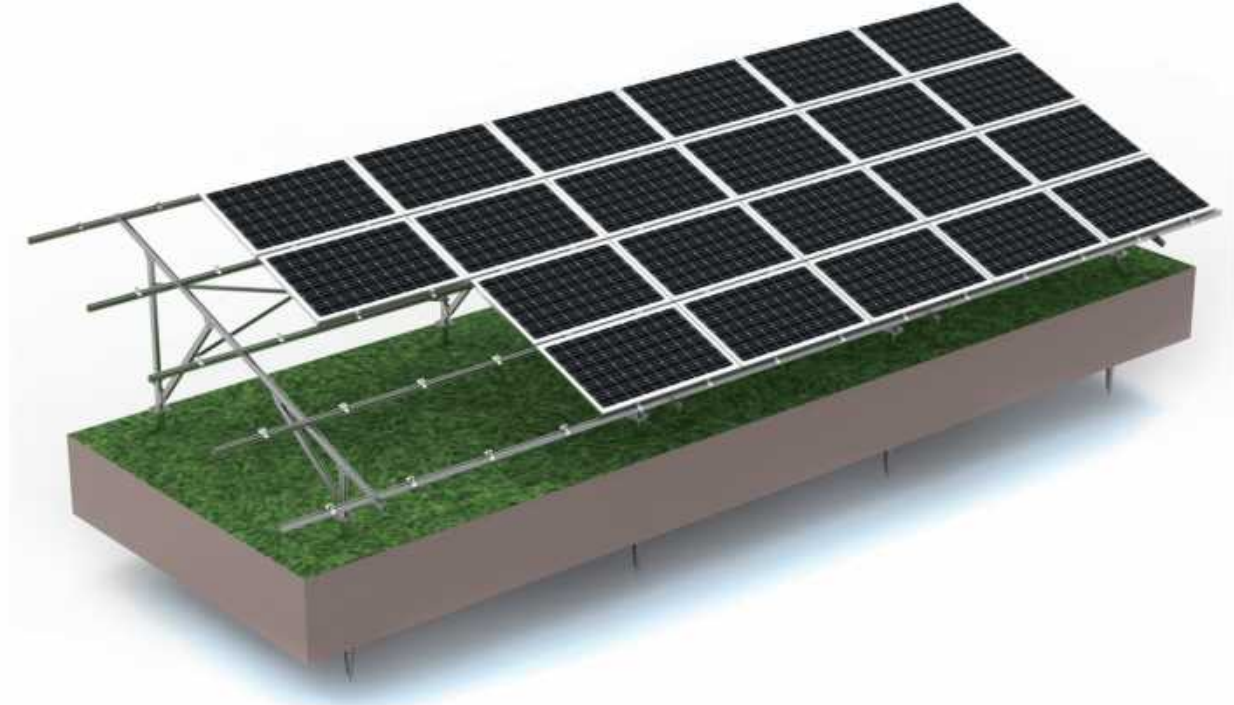


7. LS-CP

Technical Features:	
Compliance	AS/NZS1170.2, Euro Code 8, DIN 1055, IBC 2006
Material	Zinc-Alu-Mg steel, stainless steel SUS304
Snow Load Rating	1.4KN/m ²
Max Wind Speed	60m/s
Certificates	CE, SGS
Warranty	10 years
Installation Angle	0-60°

U STEEL GROUND MOUNTING

*Horizontal Row



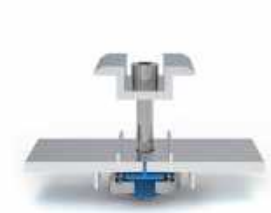
1. LS-UDG



2. LS-ULJ



3. LS-ECS



4. LS-ICS



5. LS-GPB-U



6. LS-TC

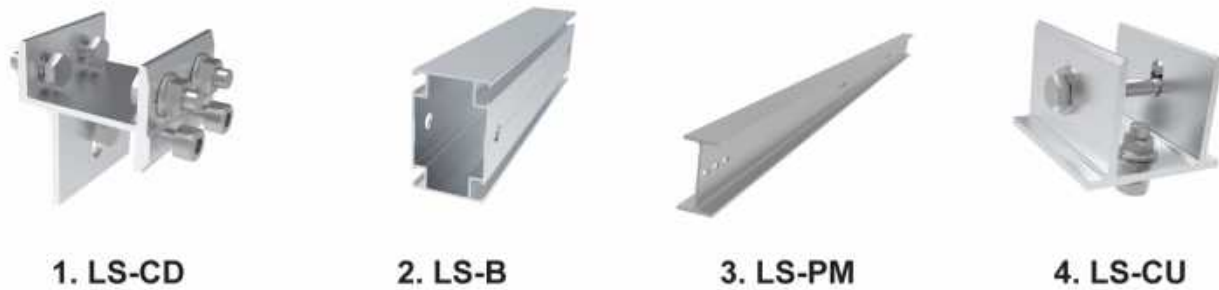
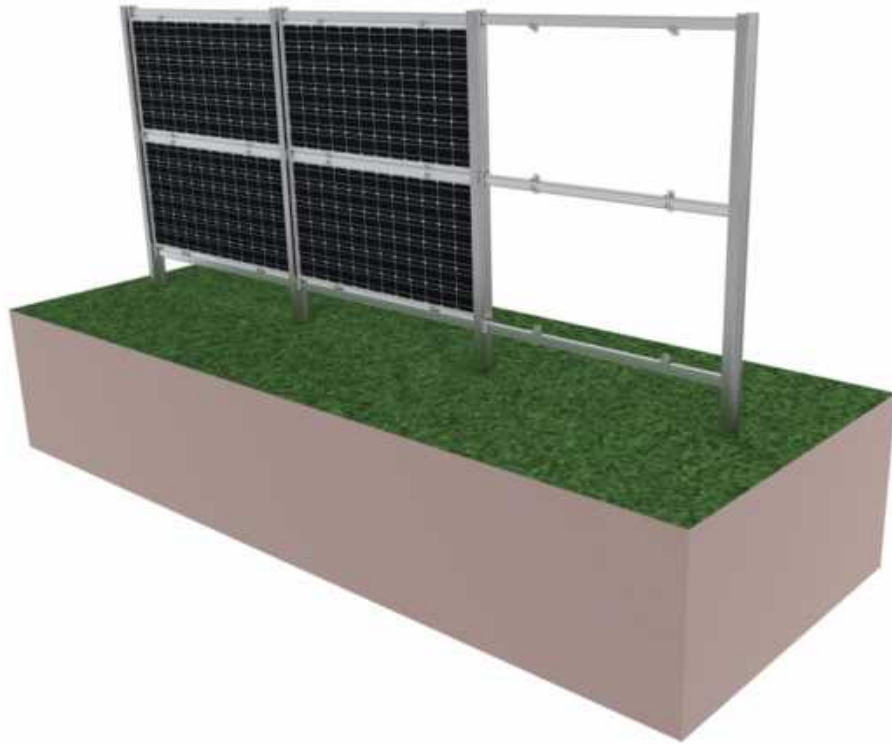


7. LS-RD



8. LS-PB-U

VERTICAL GROUND MOUNTING



Introduction

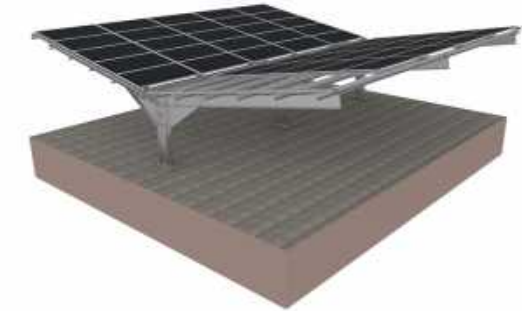
Vertical Gound mounting system is a fixed structure used to install panels; They are usually mounted on the ground to support panels in vertical . This installation helps to maximize the reception of sunlight from solar panels and improve the conversion efficiency of solar panel.

CARBON STEEL CARPORT

*Single-column

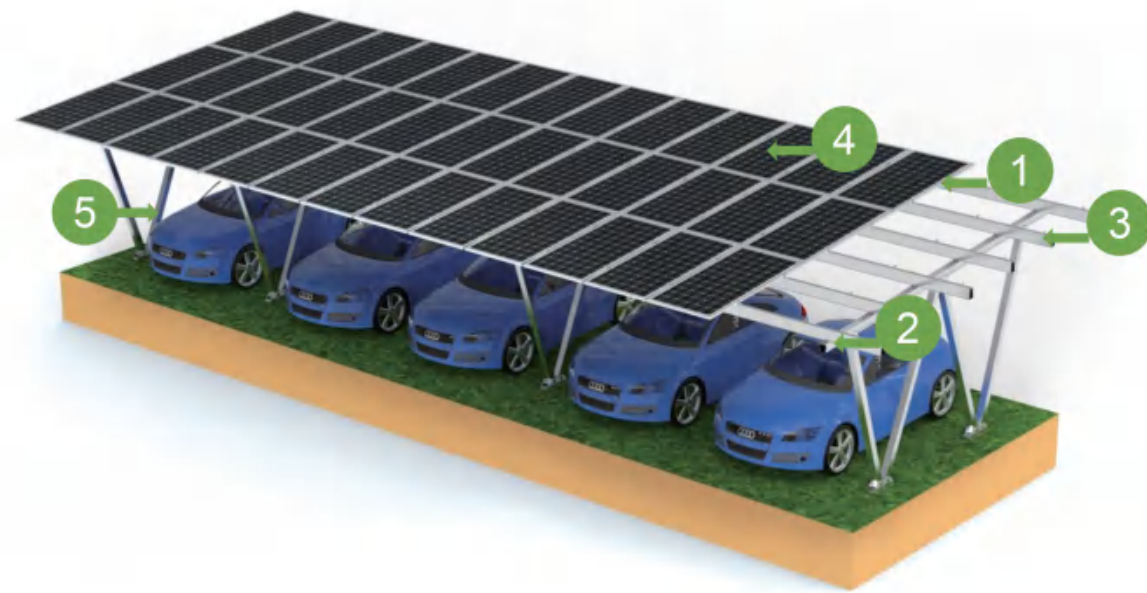


*Double-column



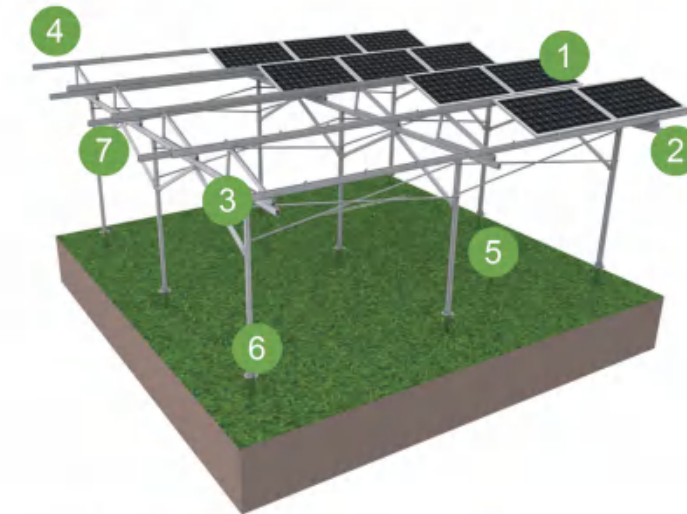
Technical Features:	
Compliance	AS/NZS1170.2, Euro Code 8, DIN 1055, IBC 2006
Material	Q235B&Zinc-Alu-Mg steel, stainless steel SUS304
Snow Load Rating	1.4KN/m ²
Max Wind Speed	60m/s
Certificates	CE, SGS
Warranty	10 years
Installation Angle	0-20°

ALUMINUM CARPORT



Technical Features:	
Compliance	AS/NZS1170.2, Euro Code 8, DIN 1055, IBC 2006
Material	High-strength aluminum 6005-T5, stainless steel SUS304
Snow Load Rating	1.4KN/m ²
Max Wind Speed	60m/s
Certificates	CE, SGS
Warranty	10 years
Installation Angle	0-20°

AGRICULTURAL GREENHOUSE



Technical Features:	
Compliance	AS/NZS1170.2, Euro Code 8, DIN 1055, IBC 2006
Material	High-strength aluminum 6005-T5, stainless steel SUS304
Snow Load Rating	1.4KN/m ²
Max Wind Speed	60m/s
Certificates	CE, SGS
Warranty	10 years
Installation Angle	0-60°

RAILS



LS-RA



LS-RB



LS-RC



LS-RD



LS-RE



LS-RF

RAIL CONNECTORS



LS-ASK



LS-ASK2



LS-ASK3



LS-BSK



LS-CSK



LS-DSK

CLAMPS & ACCESSORIES



LS-EC



LS-MC



LS-HMC



LS-RC



LS-UEC



LS-UMC



LS-QEC



LS-QMC



LS-TEC



LS-TIC



LS-ELG



LS-EPL



LS-EJC



LS-PCC

OTHER ACCESSORIES



HANGER BOLTS



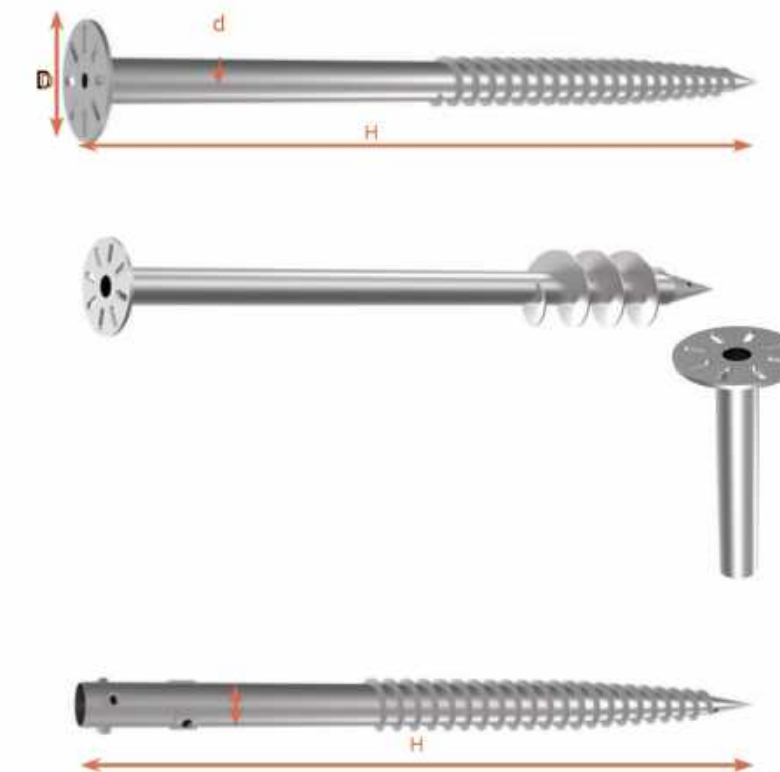
LS-HB-01	LS-HB-W-02	LS-HB-W-03
Hanger bolt for beam	Hanger bolt for wooden beam	Hanger bolt for steel beam
200mm/250mm/300mm/350mm or Customized		
Steel	SUS304	SUS304



GROUND SCREW

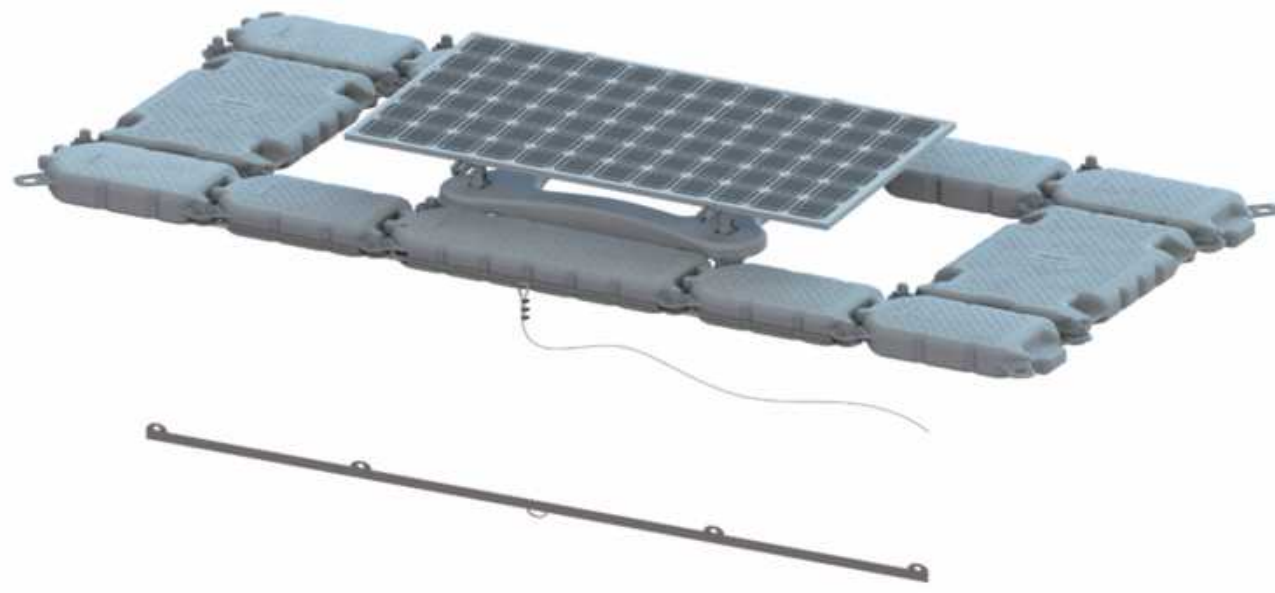
Leonsolar ground screw provide superior stability, efficiency, and sustainability for uses like PV solar farms. Setup takes just minutes compared to hours for concrete foundations.

Product material: Hot-dip galvanized steel pipe Q235



Item No.	D(mm)	d(mm)	H(mm)
LS-GSF-F-76x1200	200	76	1200
LS-GSF-F-76x1400	200	76	1400
LS-GSF-F-76x1600	200	76	1600
LS-GSF-F-76x1800	200	76	1800
LS-GSF-F-76x2000	200	76	2000

FLOATING SYSTEM



Cable-stayed beam



Main pontoon



Long corridor



Short corridor



Edge corridor

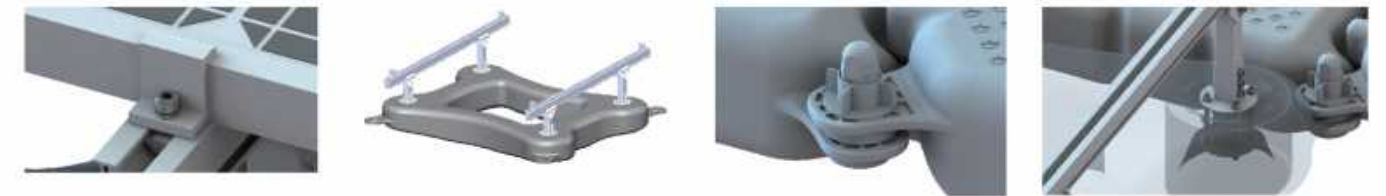
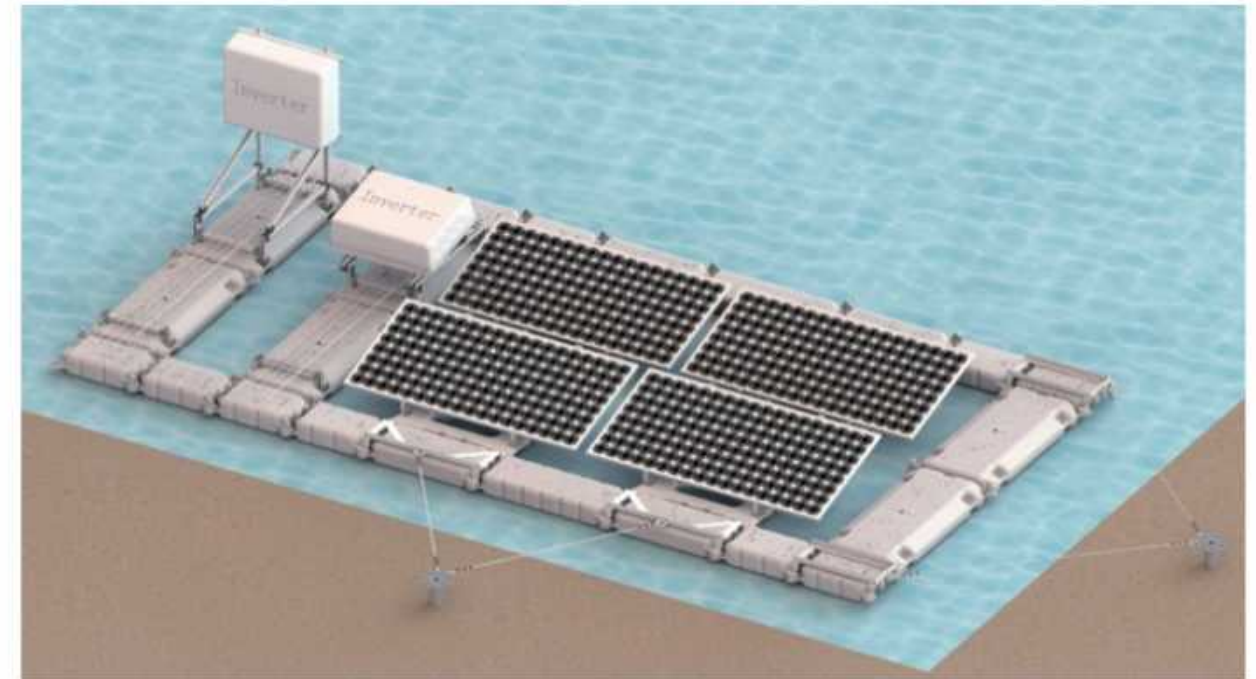


bolt + nut



Anchoring cable

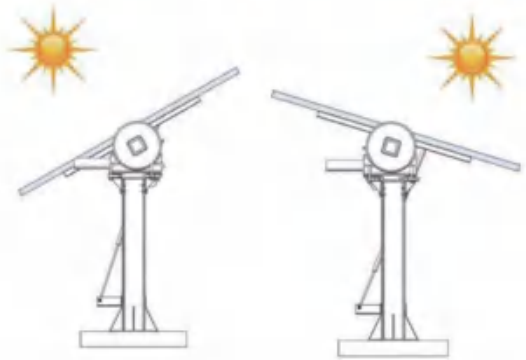
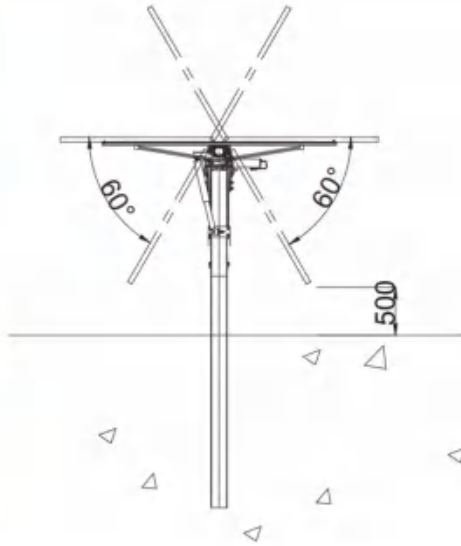
FLOATING SYSTEM



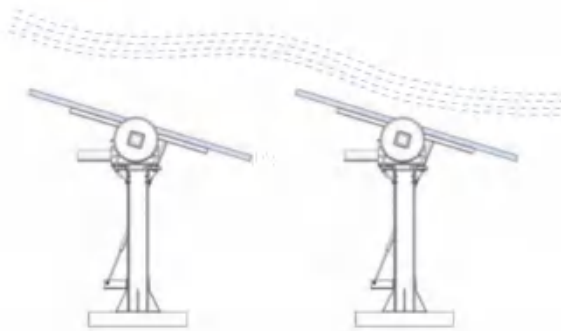
Technical Features:	
color	Silver or Customized
Installation Site	Lake, Reservoir
Tilt Angle	10° / 15°
Wind Load	51m/s
Snow Load	1KN/m ²
Material	HDPE
Fastener	Zinc-Alu-Mg Steel & HDPE

TRACKING SYSTEM

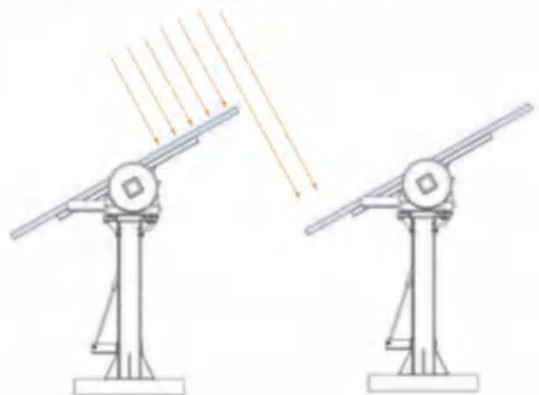
*Flat single-axis tracking bracket



① Standard tracking mode



② Shadow-free tracking mode



③ Wind protection mode

*Technical documents

Flat single-axis tracking system technical specifications	
Tracking type:	Independent horizontal single-axis tracking system
Tracking range:	+45°~ +60°
Drive system:	Steering driver, 24VDC motor
Number of panels per unit	Each tracker can carry up to 90 panels
System voltage:	1000V OR 1 500V
Ground coverage ratio:	≥35%
Optional foundation:	Concrete/Steel Pile
Adaptable to train:	10° north-south, unlimited east-west
Structural material:	Hot dip galvanized steel&Zinc-Alu-Mg Steel
Power supply method	AC power supply or string power supply
Daily energy consumption.	0.08KWh
Standard wind pre suredesign:	American standard ASCE7-10 wind speed 105mph (47m/s), ca pable of withstanding higher wind loads
Wind protection:	18m/s
Aplicable components:	210 silicon wafer modules
Working temperature:	-30°C ~ 60°C
Controller:	MCU(Microcontroller)
Tracking algorithm	Astronomical algorithm + closed-loop (AI contro)
Tracking accuracy:	+1°
Communication method:	RS485 or wireless Zigbee
Shadow backtracking.	Equipped with
Nighttime levelig mode:	Equipped with
Motor overload protection	Equipped with
System fault self-check function:	Equipped with

PRODUCTION LINE

Aluminum



Casting



Extrusion



Rail package

Steel



Steel workshop



Rolling machine



Rail package

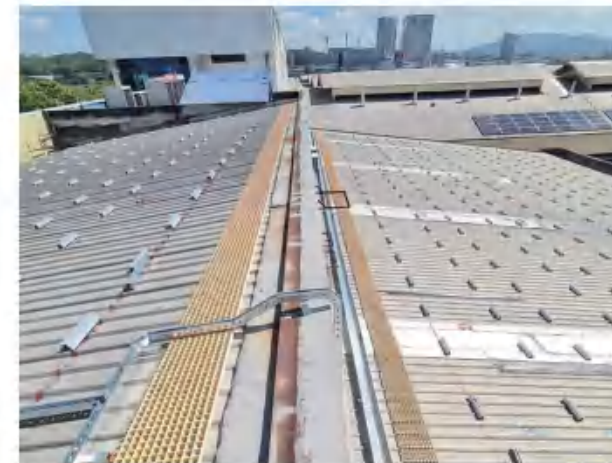
PROJECT REFERENCE



Tin roof mounting Germany



Tripod mounting in Korea



Mini Rail project in Malaysia



Steel Ground mounting in Australia



Steel carport in China



Aluminum ground in Malaysia